

LIGHTNING PROTECTION INFO.

Basic rules for selection are:

1. Must be like material to the conductor.
2. Two bolts to ground rod - minimum.
3. Cable to cable connections can be anything, one bolt, two bolt, compression, etc.
4. Cable to steel structure must have 8 square inch contact with steel.
5. Heavy duty stacks - mechanical only.

6. On all connectors with heavy duty stack rating, we must offer 1/16" thick lead plating as an option. The reason for that is closest 25 ft. to stack opening must use lead coated product.

✓ Complies with NFPA 78-86 Ordinary Structures.

✓ ✓ Complies with NFPA 78-86 Heavy Duty Stacks. (Order: LD for Lead Plating for Heavy Duty Stack applications.)

SPECIAL FEATURES

Other features are also available for products listed, such as undrilled or special drilling, 45° or 90° pad angles, belling for extra flexible cable, smooth or special threaded studs, special labeling or packaging, extra long braid, and nuclear certification. Please contact BURNDY Customer Service for any inquiries.

**ALL OTHER SPECIAL REQUESTS
PLEASE CONTACT
BURNDY CUSTOMER SERVICE
1-800-346-4175**

REVOLUTIONARY BURNDY® DESIGN MEETS STRICT UL486B STANDARDS

Unique "bite and grip" TRITAP™ SERVIT® contact delivers safe, long-term reliability — even without scratch brushing ... without oxide inhibiting compounds.†

... and puts the bite on aluminum connections forever!

For use on all combinations

- Aluminum to aluminum
- Aluminum to copper
- Copper to copper



† When used in NEC applications of insulated cables only.

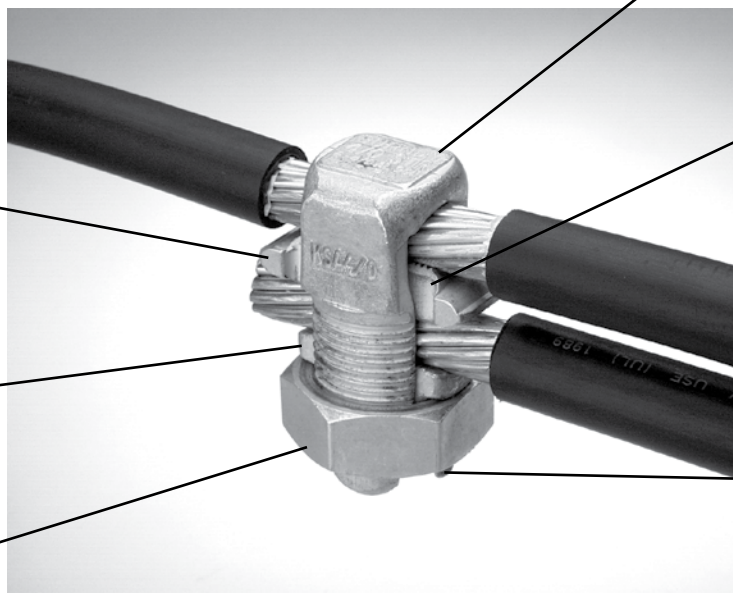
Patented

Triangular edges bite into cable to break through surface oxides:

- provide low contact resistance
- produces gas tight seal

Tin-plated contact surface inhibits oxide formation

Special heat-treated hard, aluminum alloy



Available in sizes from #10 through 500 kcmil

Spacer provides built-in separation to retard galvanic corrosion

Anti-galling, high efficiency threaded components result in high contact force. Easily installed using standard, everyday wrenches.

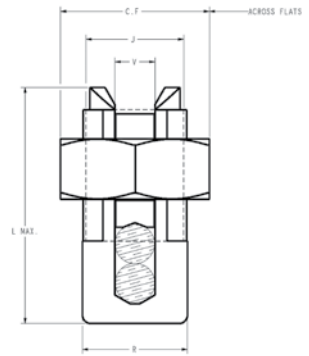
TYPES KS & KS-3

SERVIT®



Copper, Copperweld

Compact, high strength, high copper alloy SERVIT® split-bolt has free-running threads and easy to grip wrench flats. Highly resistant to season cracking and corrosion, the SERVIT® provides maximum pressure and assures a secure connection on all combinations of run and tap conductors. Type KS-3 accommodates 3 maximum size conductors.



| Catalog Number | Cross Flats | L | W | Conductor | | | | | | ▲ Recommended Tightening Torque (in-lb) |
|----------------|-------------|------|------|-------------------|----------------------|---------------------|--------|----|--------|---|
| | | | | Copper | | Copperweld | | | | |
| | | | | Equal Run & Tap | Min Tap with Max Run | Maximum Run and Tap | | | | |
| | | | | Sol. | Str. | Type A | Type D | | | |
| † KS90 | 0.50 | 0.85 | 0.38 | 12 - 10 Str. | 16 Str. | #10 | — | — | — | 80 |
| † KS15 | 0.50 | 0.85 | 0.38 | 10 - 8 Str. | 14 Str. | #8 | — | — | — | 80 |
| † KS17 | 0.63 | 1.14 | 0.45 | 8 Str. - 6 Sol. | 14 Str. | #6 | 3 #12 | 8A | 9-1/2D | 165 |
| * KS173 | 0.62 | 0.98 | 0.70 | 8 Str. - 6 Sol. | 16 Str. | #6 | 3 #12 | 8A | 9-1/2D | 165 |
| † KS20 | 0.69 | 1.20 | 0.51 | 8 Str. - 4 Sol. | 14 Str. | #4 | 3 #10 | 6A | 8D | 165 |
| * KS203 | 0.68 | 1.17 | 0.78 | 8 Str. - 4 Sol. | 14 Str. | #4 | 3 #10 | 6A | 8D | 165 |
| † KS22 | 0.75 | 1.50 | 0.60 | 6 Str. - 2 Sol. | 14 Str. | #2 | 3 #8 | 4A | 6D | 275 |
| * KS223 | 0.74 | 1.33 | 0.84 | 6 Str. - 2 Sol. | 14 Str. | #2 | 3 #8 | 4A | 6D | 275 |
| † KS23 | 0.82 | 1.54 | 0.62 | 6 Str. - 2 Str. | 14 Str. | #1 | 3 #7 | 3A | 5D | 275 |
| † KS25 | 0.94 | 1.77 | 0.73 | 4 Str. - 1/0 Str. | 14 Str. | 2/0 | 3 #5 | 2A | 4D | 385 |
| † KS26 | 1.05 | 1.94 | 0.82 | 2 Str. - 2/0 Str. | 14 Str. | 3/0 | 7 #7 | — | — | 385 |
| † KS27 | 1.36 | 1.86 | 1.17 | 1 Str. - 3/0 Str. | 8 Sol. | — | — | — | — | 500 |
| † KS29 | 1.36 | 2.07 | 1.17 | 1 Str. - 250 | 8 Str. | 4/0 | 7 #5 | — | — | 650 |
| † KS31 | 1.70 | 2.51 | 1.41 | 1/0 Str. - 350 | 1/0 Str. | — | 19 #8 | — | — | 650 |
| † KS34 | 1.82 | 2.79 | 1.48 | 2/0 Str. - 500 | 2/0 Str. | — | 19 #6 | — | — | 825 |
| KS39 | 2.31 | 3.29 | 1.94 | 4/0 Str. - 750 | 4/0 Str. | — | 19 #5 | — | — | 1000 |
| KS44 | 2.56 | 3.73 | 2.19 | 300 - 1000 | 4/0 Str. | — | — | — | — | 1100 |

▲ Listed torque values are for maximum conductor combinations accommodated. Consult UL486 Tables 7-4, 7-5, 7-6 for smaller conductor combinations. See note LIGHTNING PROTECTION INFO.

* Not UL Listed or CSA Certified.

† In addition to UL Listed for wire connectors and CSA Certified, these items are also UL rated for direct burial.

TYPE SC

SERVIT® COVER



HUG-A-BUG

Used indoors or outdoors, this compact, one-piece plastic SERVIT® cover saves time and material, eliminates costly taping of split-bolts. Positive latch snaps easily and quickly over connector, ideal for tight quarters. Self-positioning plastic fingers wrap around wires fully insulating joint. UL Listed for 600 volt indoor application with type KS. Three covers accommodate a range of 6 SERVIT® sizes through 2/0 Str.



| Catalog Number | For Use With |
|----------------|--|
| SC4 | KS17, KS173, KS20, KSU17, KSU20 |
| SC2 | KS22, KS203, KS23, KS223, KSA6, KSA4, KSU22, KSU23 |
| SC2/0 | KS25, KS26, KSA2, KSA1/0, KSU25, KSU26 |